

VIGO INDUSTRIES INSTALLATION GUIDE FOR SHOWER ENCLOSURE (MODEL VG06042A)

SAFETY PRECAUTIONS

This Installation Guide uses the following symbols to indicate important information. Always observe the instructions indicated by these symbols.

WARNING

Instructions that, if ignored, could result in death or serious personal injury caused by incorrect handling or installation of the product. These instructions must be observed for safe installation.

CAUTION

The instructions can not be provided for any other installation other than that of the Vigo brand. The warranty will be voided if the following was not performed properly.

IMPORTANT

Maintenance and other important non-personal injury and non-material damage instructions or statements that should be observed.

It is highly advised to dry fit the unit prior to any installation.

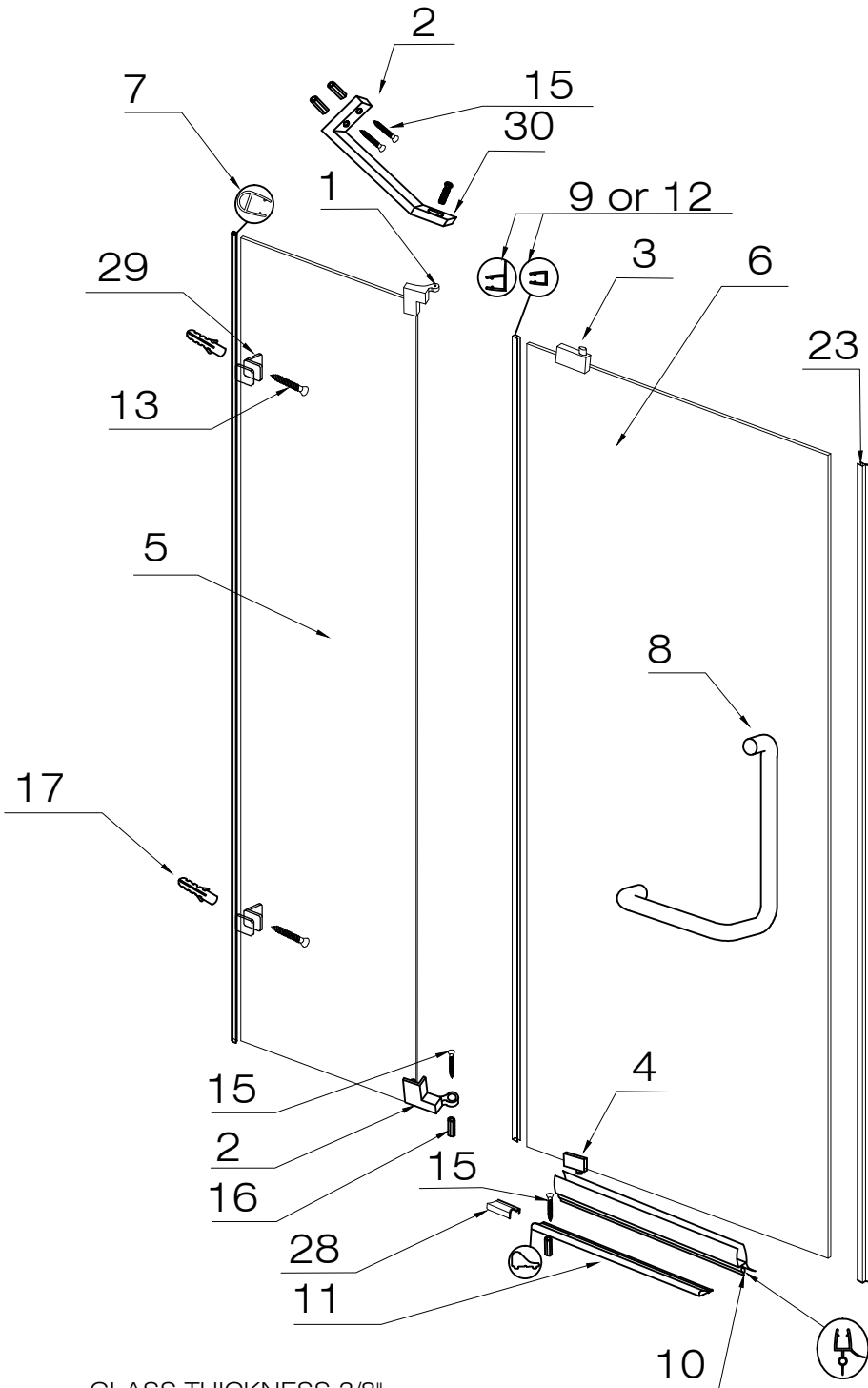
MODEL VG06042 PIROUETTE

VIGO

INSTALLATION INSTRUCTIONS FOR SHOWER DOOR PLEASE READ INSTRUCTIONS BEFORE PROCEEDING


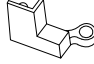
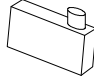
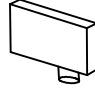

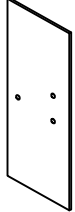
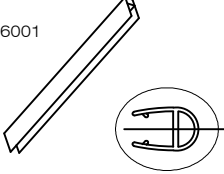
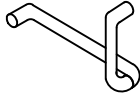
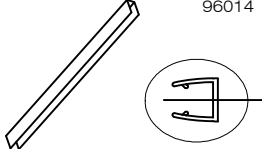
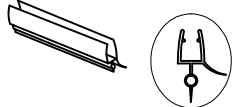

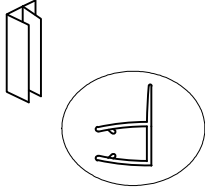

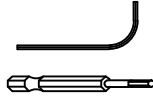

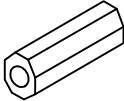

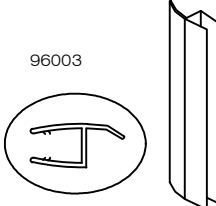

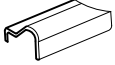
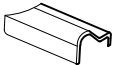
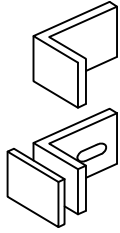
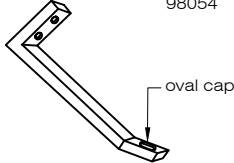
Parts List

1. Turning hinge base (1pc)
2. Turning hinge base mirrored (1pc)
3. Turning hinge (1pc)
4. Turning hinge mirrored (1pc)
5. Front fixed panel (1pc)
6. Door (1pc)
7. Side seal strip (1pc)
8. Handle assembly (1pc)
9. Side seal strip w/out bump (1pc)
10. Door bottom seal strip (1pc+1pc extra)
11. Door threshold (1pc)
12. Door side seal strip (1pc)
13. Hex screw 1 5/8" (2pc)
14. Allen Key Pack (1pack)
15. Phillips screw 1 1/8" (4pc)
16. Plastic anchor - green (4pc)
17. Plastic anchor - white (2pc)
18. Not used
19. Not used
20. Not used
21. Not used
22. Not used
23. Door side seal strip (1pc)
24. Screw cover (Type A -1pc; Type B-8pc; Type C- 2pc)
25. Not used
26. Not used
27. Right threshold end cup (1pc)
28. Left threshold end cup (1pc)
29. Glass support (2pc)
30. Structural arm (1pc)



GLASS THICKNESS 3/8"

NOTE: INSTALLATION MUST BE DONE BY A QUALIFIED, LICENSED PROFESSIONAL.

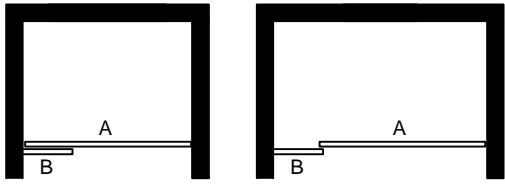
<p>1. TURNING HINGE BASE 98041</p> 	<p>2. TURNING HINGE BASE MIRRORED 98042</p> 	<p>3. TURNING HINGE 98043</p> 	<p>4. TURNING HINGE MIRRORED 98044</p> 	<p>5. FRONT FIXED PANEL 97023</p> 
<p>6. DOOR 97024-28 97024-34</p> 	<p>7. SIDE SEAL STRIP - 73" 96001</p> 	<p>8. HANDLE ASSEMBLY 98012-18</p> 	<p>9. SIDE SEAL STRIP W/OUT BUMP - 73" 96014</p> 	<p>10. DOOR BOTTOM SEAL STRIP - 36" 96004</p> 
<p>11. DOOR THRESHOLD 98046</p> 	<p>12. DOOR SIDE SEAL STRIP - 73" 96031</p> 	<p>13. HEX SCREW 1 5/8" 98039</p> 	<p>14. ALLEN KEY PACK MISC</p> 	<p>15. PHILLIPS SCREW 1 1/8" 98035</p> 
<p>16. PLASTIC ANCHORS - GREEN 98037</p> 	<p>17. PLASTIC ANCHORS - WHITE 98038</p> 	<p>23. DOOR SIDE SEAL STRIP 96003</p> 	<p>24. SCREW COVER TYPE A 98048 TYPE B 98049 TYPE C 98050</p> 	<p>27. RIGHT THRESHOLD END CUP 98051</p> 
<p>28. LEFT THRESHOLD END CUP 98052</p> 	<p>29. GLASS SUPPORT 98010</p> 	<p>30. STRUCTURAL ARM 98054</p> 		

MODELS	LIST DIMENSIONS	DIMENSION "A" (DOOR)	DIMENSION "B" (FIXED PANEL)	HEIGHT	DOOR OPENING WIDTH
VG6042XXCL36	(30"-36") x 72"	28 3/4" x 71 1/4"	7 7/8" x 72"	72"	25 1/2"
VG6042XXCL42	(36"-42") x 72"	34 3/4" x 71 1/4"	7 7/8" x 72"	72"	31 1/2"

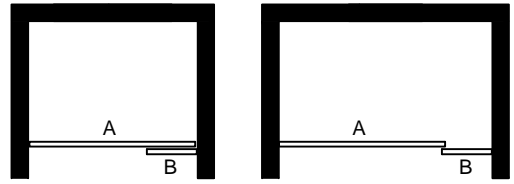
* Type A means the door panel opens to the left while Type B means to the right.

⊘ Product lines may change, contact your Vigo representative at 1-866-591-7792 or visit our website at www.vigoindustries.com for the most up to date product line information.

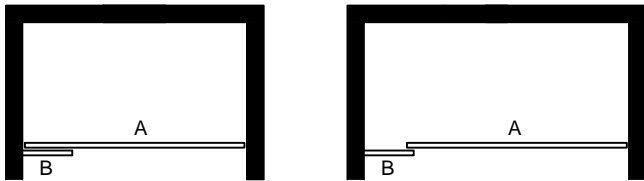
See suggestion of configuration below:



CONFIGURATION . 1A



CONFIGURATION . 1B

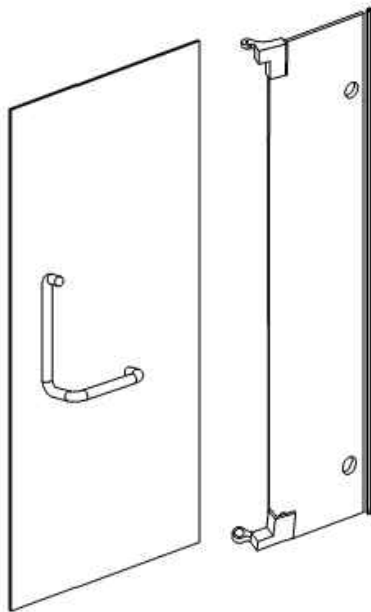


CONFIGURATION . 2A

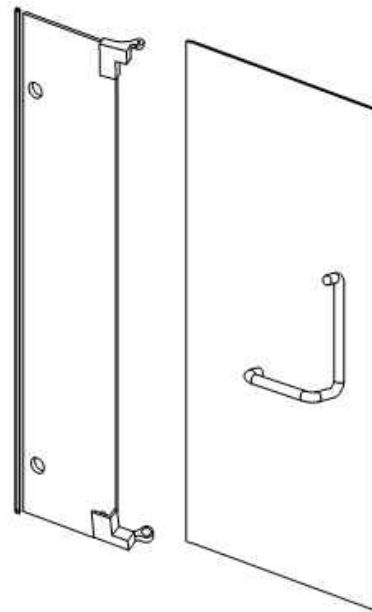


CONFIGURATION . 2B

(GLASS CONFIGURATION DIAGRAM)



LEFT DOOR INSTALLATION



RIGHT DOOR INSTALLATION

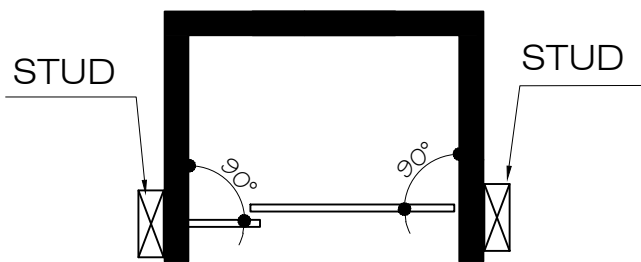


FIG.1

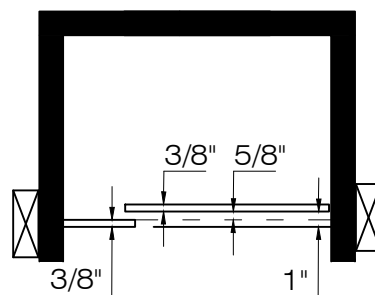


FIG.1A

⚠ WARNING

WE STRONGLY RECOMMEND THAT A LICENSED PROFESSIONAL INSTALL THIS STANDING SHOWER CABIN AND INCLUDE THE ASSISTANCE OF A SECOND PERSON TO INSTALL THE DOOR UNIT.

INSTALLATION OF THE SHOWER DOORS BY AN INEXPERIENCED PERSON MAY RESULT IN GLASS BREAKAGE AND CONSEQUENTLY, CAUSE PERSONAL INJURY OR DEATH.

- Handle fragile items with care to prevent personal injury or material damage.
- The glass panels are tempered and cannot be cut. Never attempt to do so.
- Always rest glass on a level surface

BEFORE STARTING

Compare items on your invoice with what you have received. Carefully review the Parts List on page 2. If any items are missing, please call Vigo Industries at 1-866-591-7792. Please check our website at www.vigoindustries.com for additional information or instructional videos.

REQUIRED TOOLS:

- Square and/or Phillips #1 and #2 screwdriver
- Flat head screwdriver
- Electric drill; 3/32", 1/8", 3/16" or 7/32" drill bit (According to wall)
- Level
- Measuring tape
- Non permanent pencil
- Clear silicone caulking
- Utility knife; Hacksaw

⊘ IMPORTANT

- Fiberglass, acrylic or sheetrock construction might not be sufficiently strong enough to support the shower door enclosure. You should use the wood framing from behind the face edge of the stall to provide a secure mounting to the door. Apply a bead of silicone between the walls and base of the stall.
- For optimum performance, you should install the shower door perfectly level on a level surface. By not leveling the unit during construction the unit may leak causing possible water damage.

IMPORTANT:

THE CLEAR GLASS MODEL HAS A REVERSIBLE DOOR AND CAN BE INSTALLED TO THE RIGHT (CONFIGURATION "A") OR LEFT SIDE (CONFIGURATION "B"). (SEE CONFIGURATION DIAGRAMS ON PAGE 4)

INSTALLATION INSTRUCTION

Installer is responsible for determining attachment method. Anchors are provided as one means of installation. Recommended installation is into studs behind the wall. This is the strongest means of installation.

PREPARATION STEPS TO FOLLOW BEFORE INSTALLATION

1. Remove the plastic layer from the base border (if needed). Do NOT remove the plastic layer off the plastic platform of the base or from the face of the hardware until installation is complete.
2. Properly apply silicone to the wall and base joints.

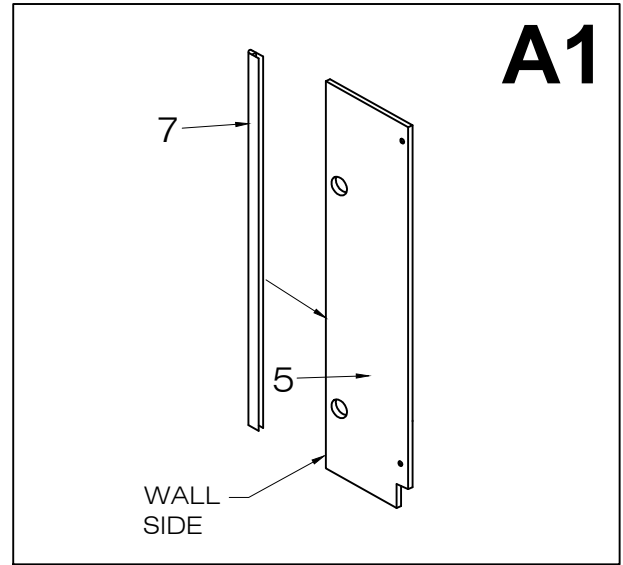
⊘ IMPORTANT

- To prevent damage to the finish, you should protect the shower cabin bottom with a cardboard protector before beginning the installation.
- Ensure that there is sufficient structural support behind the shower wall to hold the weight of the shower door. If there is insufficient support, then reinforce the shower walls with wooden studs prior to shower door installation. [SEE FIG.1 on page 4]
- Prior to any installation, mark lines on the floor and wall for proper dry fit. Using painter's tape is a suggested method. Although the panels are parallel the fixed panel does not sit in alignment with the door panel. Proper planning is imperative for proper installation. [SEE FIG.1A on page 4]

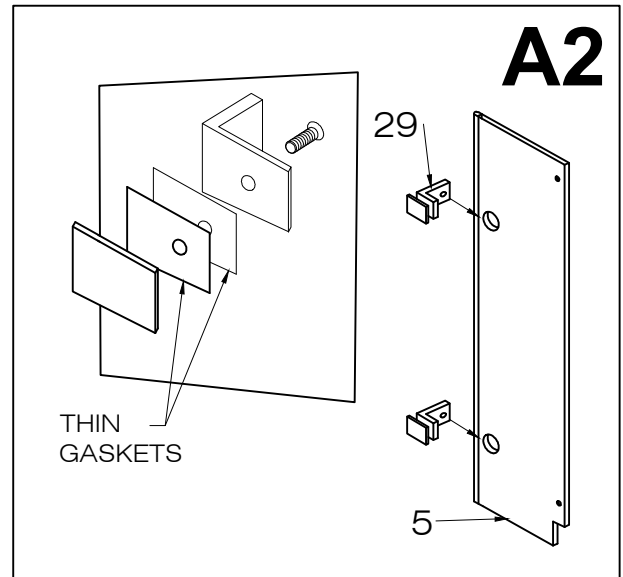
INSTALLATION STEPS

A. INSTALLING THE FRONT FIXED PANEL

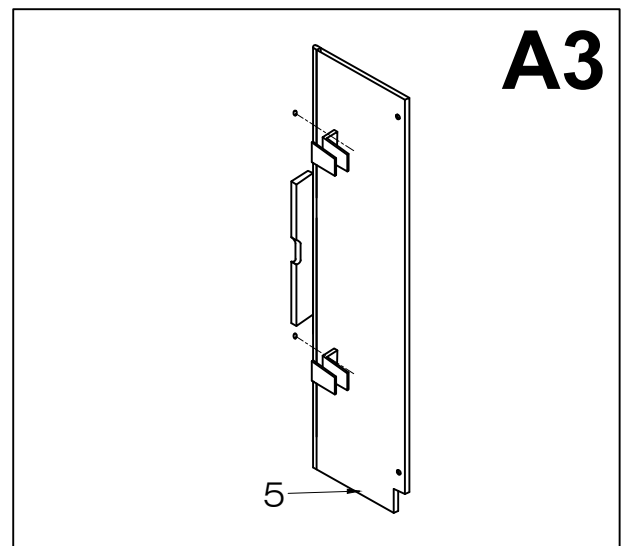
1. Arrange the front fixed panel (#5) to the preferred configuration to determine the orientation of glass supports (#29). Install the side seal strip (#7) to the wall side of the front fixed panel.



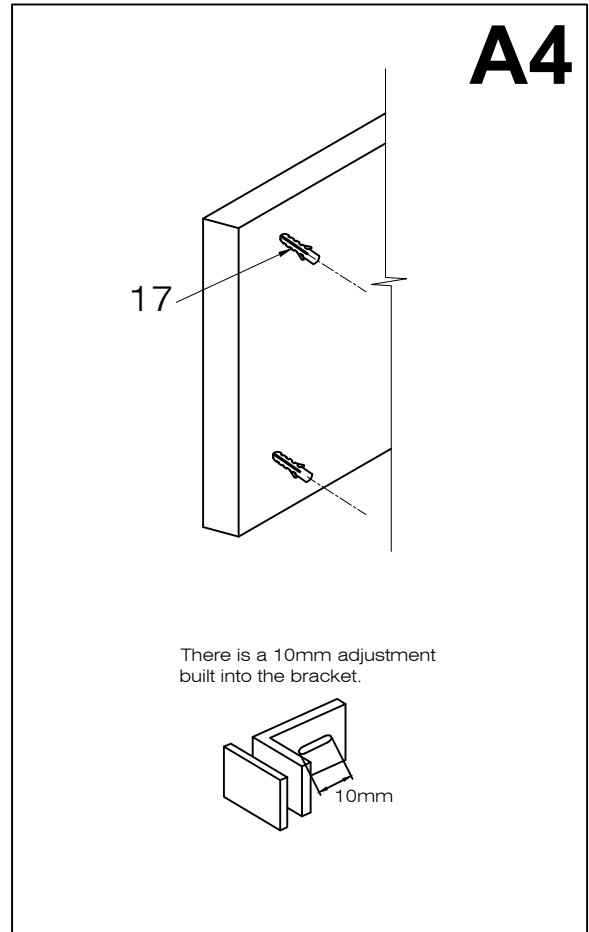
2. Screw in the glass support (#29) with the hex key to the front fixed panel. Be sure to use washers on both sides of the panel.



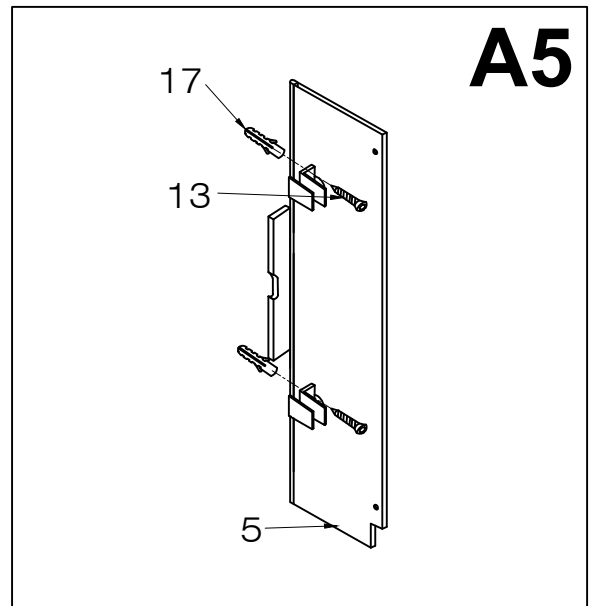
3. Mark holes on the wall for the mounting screws after leveling panel.



- Remove the front fixed panel and drill holes into the wall. Insert plastic anchors (#17) into the holes. **⚠ Not necessary if installing into studs. Studs are the preferred means of installation, anchors can pull out of the wall causing property damage and bodily harm. There is a 10mm adjustment built into the glass supports for minor modifications.**

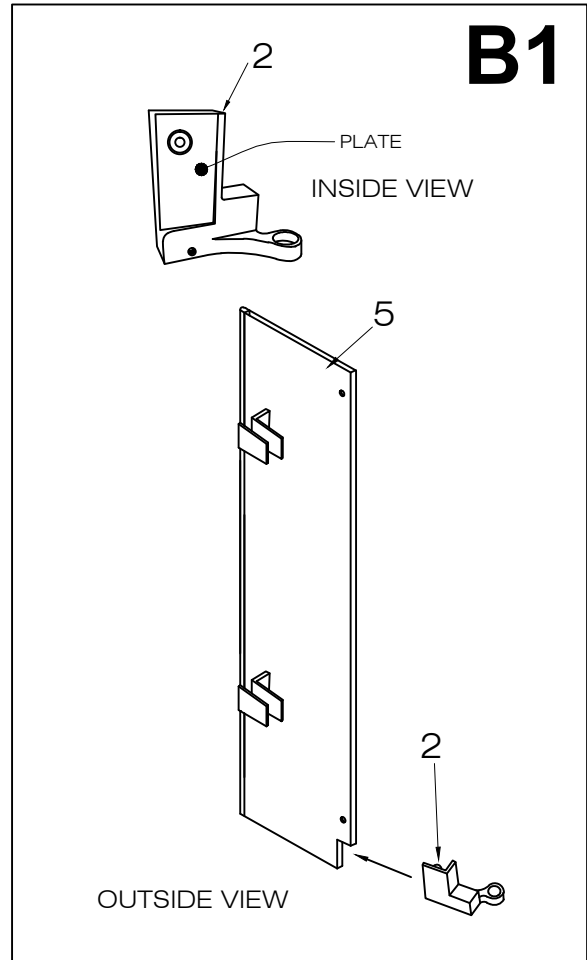


- Replace the front fixed panel. Screw into the wall with 1 5/8" hex screws (#13).

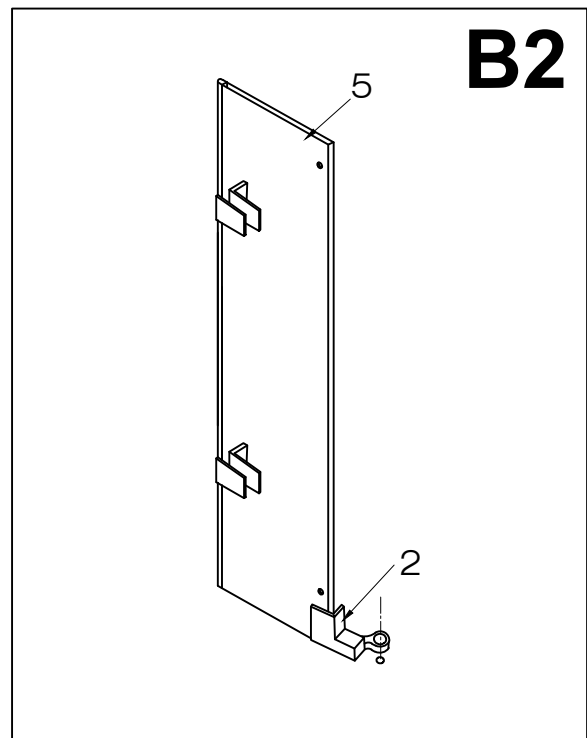


B. INSTALLING THE TURNING HINGE BASE

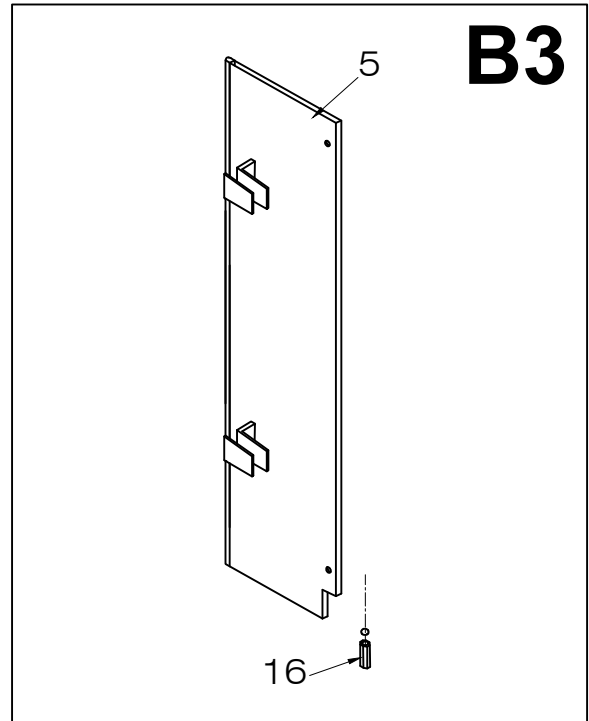
1. Unscrew the plate on the turning hinge base mirrored (#2) and mount the turning hinge base mirrored into the lower corner of the front fixed panel (#5).



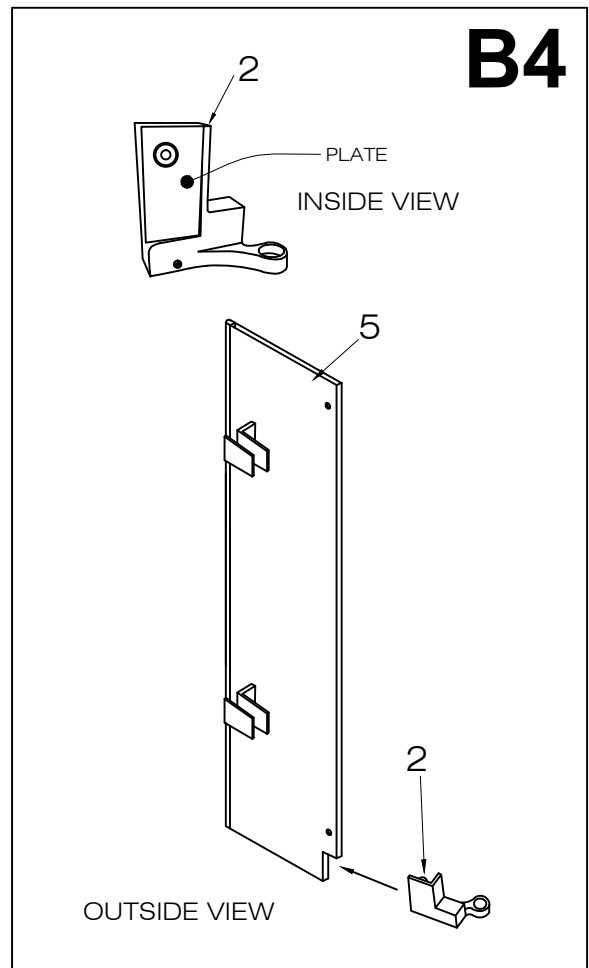
2. Mark a hole on the floor for the mounting screw for the turning hinge base mirrored.



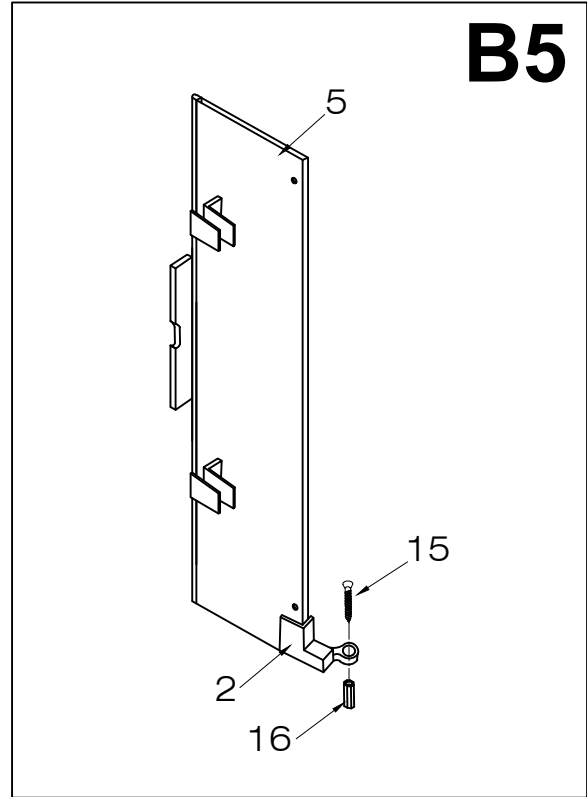
- Remove the turning hinge base mirrored and drill a hole into the floor on the marked location. Insert plastic anchor (#16) into the hole.



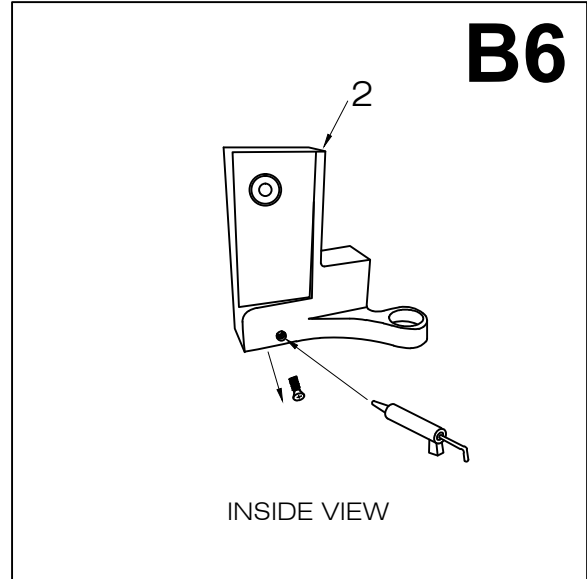
- Mount the turning hinge base mirrored again, carefully cover the plate and tighten the screw (supplied) from inside the shower .



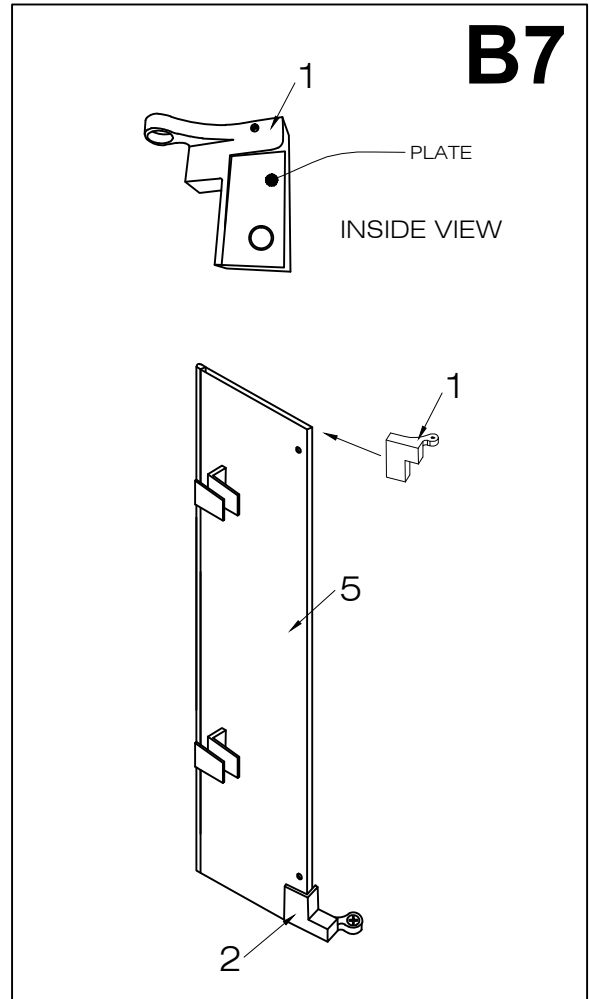
5. Screw the turning hinge base mirrored into the floor with 1 1/8" Phillips screw (#15). Make sure the glass panel is perpendicular to the wall.



6. Remove the screw that connects the structural arm on the floor mount portion of part (#2). Removing this is to prevent personal injury, silicone the void to prevent water entry.

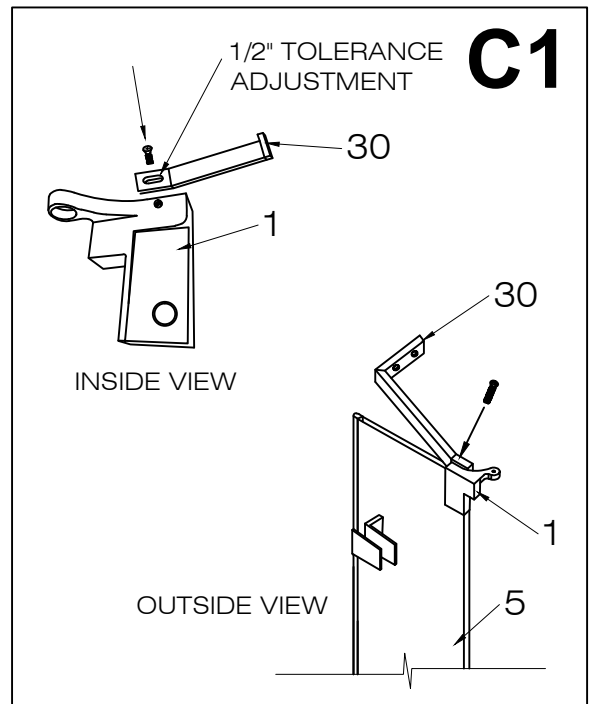


7. Mount the turning hinge base (#1) to the upper corner of the front fixed panel, cover the plate and tighten the screw (supplied) from inside the shower.

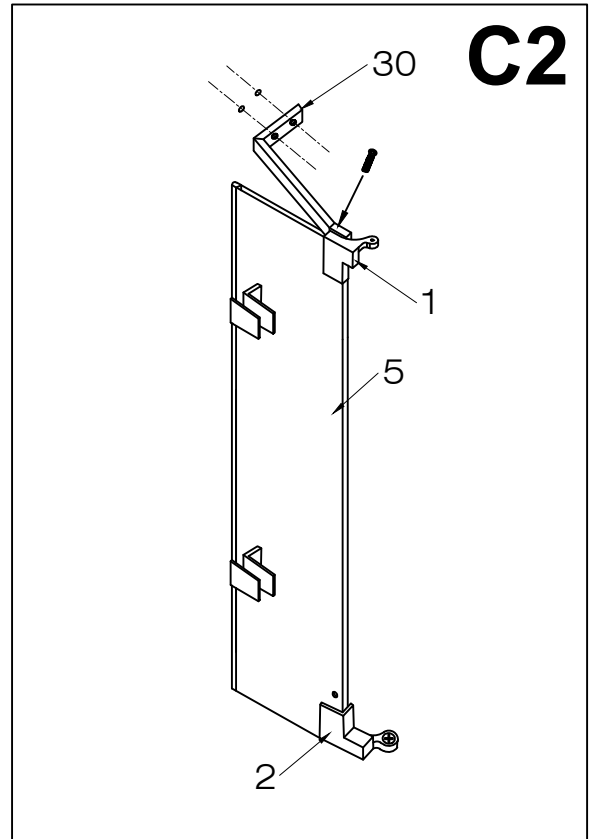


C. INSTALLING THE STRUCTURAL ARM

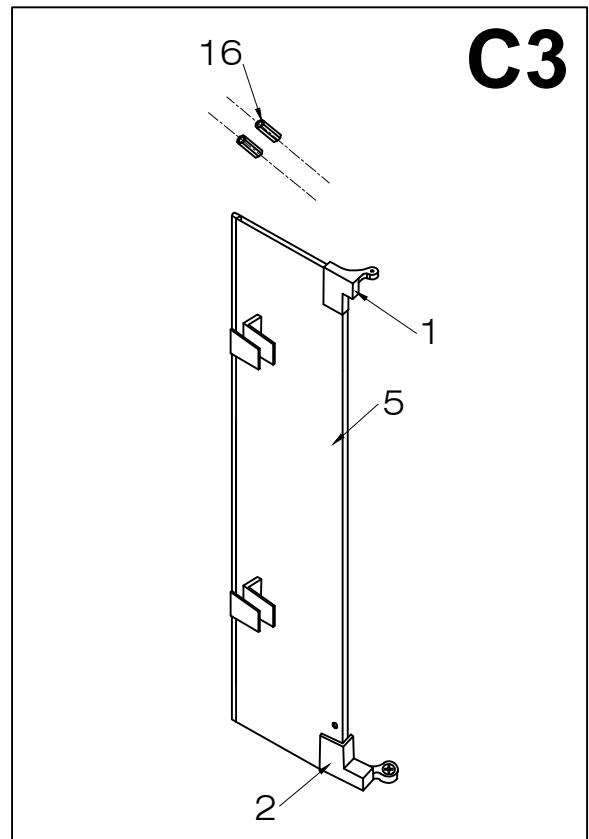
1. Attach the structural arm (#30) to the top turning hinge base (#1). Note that the structural arm has an adjustable screw hole of 1/2" length. This will allow for flexibility and proper install placement.



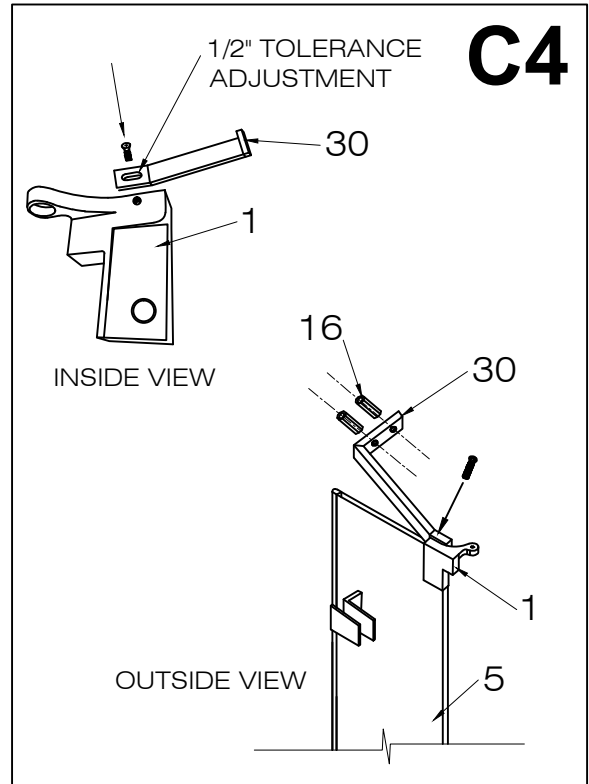
2. Mark two holes on the wall for the mounting screws for the structural arm (#30).



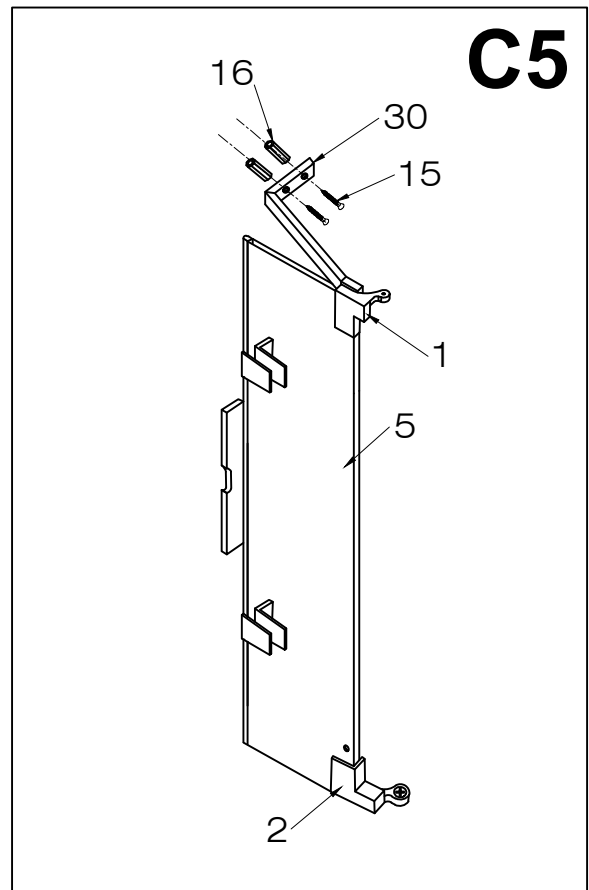
3. Remove the structural arm (#30) from the top turning hinge base and drill holes into the wall at the marked locations. Insert plastic anchors (#16) into the holes.



4. Resecure the structural arm to the turning hinge base and tighten the screw (supplied) connecting the turning hinge base and the structural arm.

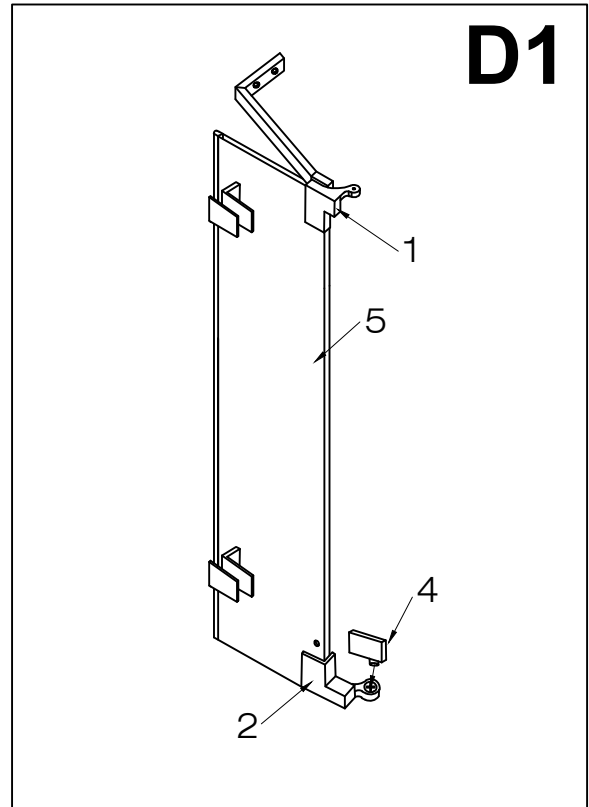


5. Screw the structural arm into the wall with 1 1/8" phillips screws (#15) making sure it is firm and plum to the wall and keeping the front fixed panel at a 90° angle.

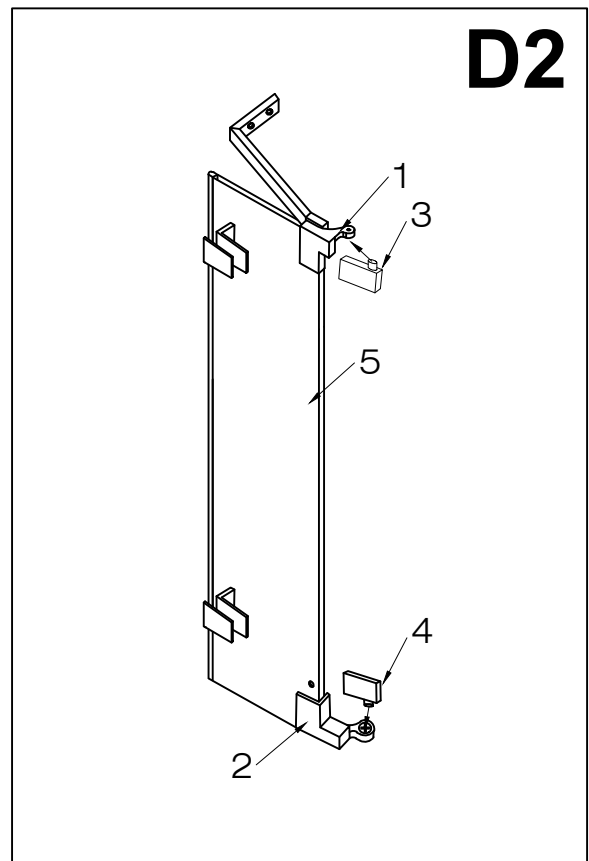


D. INSTALLING THE DOOR PANEL

1. Insert the convex portion of the turning hinge mirrored (#4) into the concave point of the turning hinge base mirrored (#2).

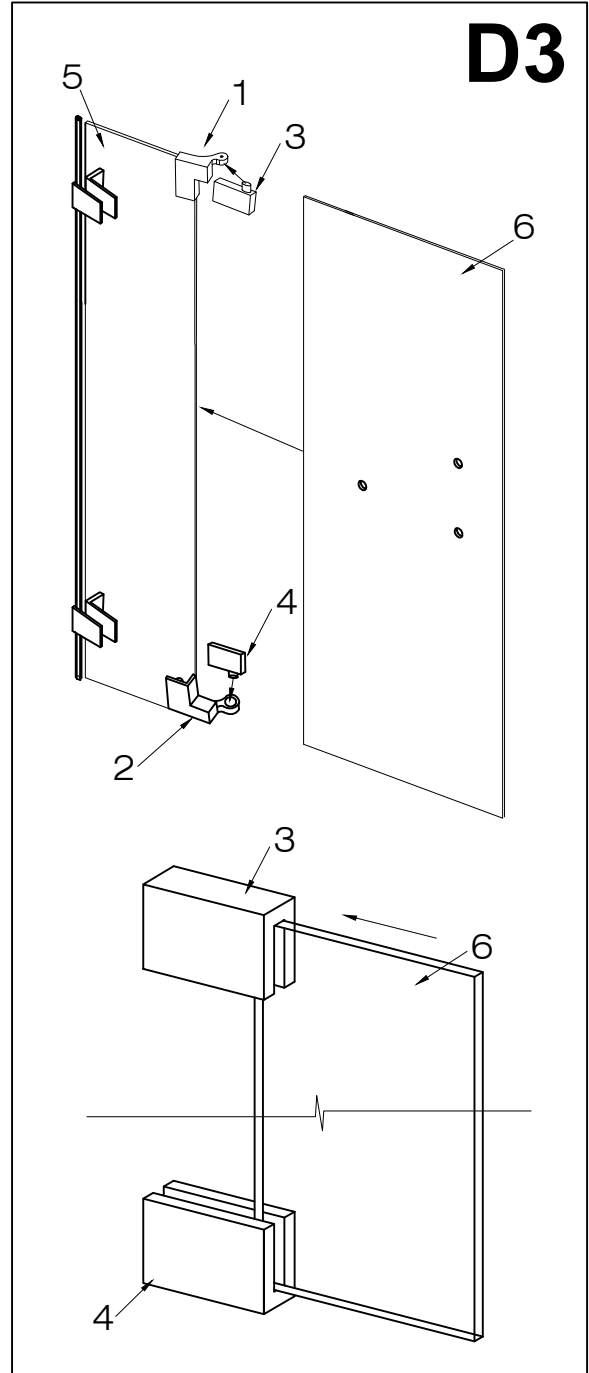


2. One installer manually inserts the convex portion of the turning hinge (#3) into the concave portion of the turning hinge base (#1) and holds the position. The hinges should be turned to a slightly open position.

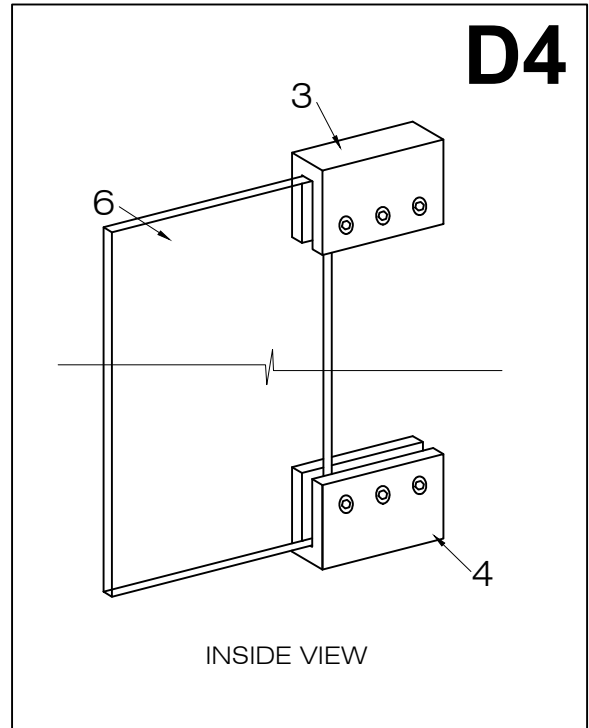


D3

- The other installer lifts the door panel (#6) and gently slides it into both turning hinges at the same time. Stop the sliding of the door panel at the proper location based on the pre-determined configuration or the specific site space requirements. **⚠ Make sure the plastic (PVC) washers do not move from their desired position and wrap the glass while staying inside the turning hinges.**

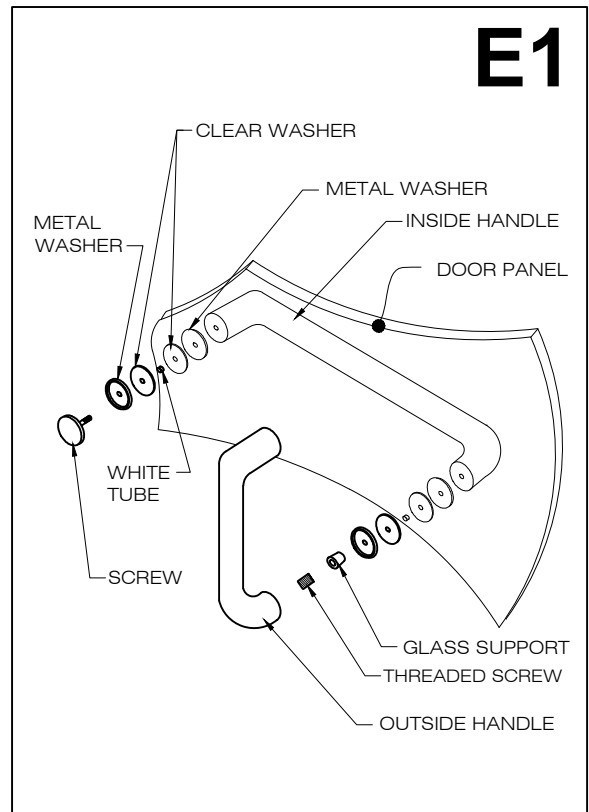


4. Tighten three screws (supplied) on both turning hinges from inside the shower, respectively, making sure the door panel is tightly secured by these two hinges and level.



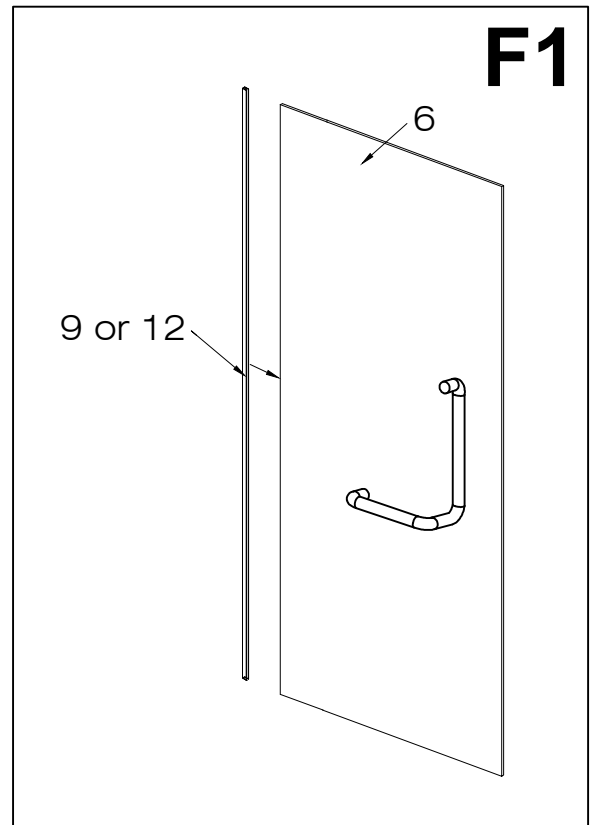
E. INSTALLING THE HANDLE

1. Unscrew the handle holders from the handle assembly (#8). Place the handle to the position on the door. Place plastic washers (supplied) on each side of the door. Tighten the handle nuts from inside the shower.

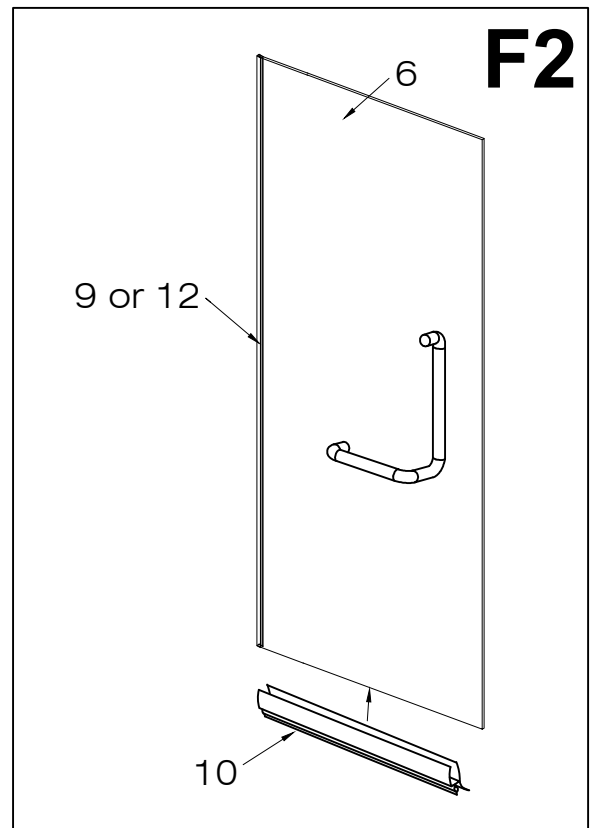


F. INSTALLING SEAL STRIPS

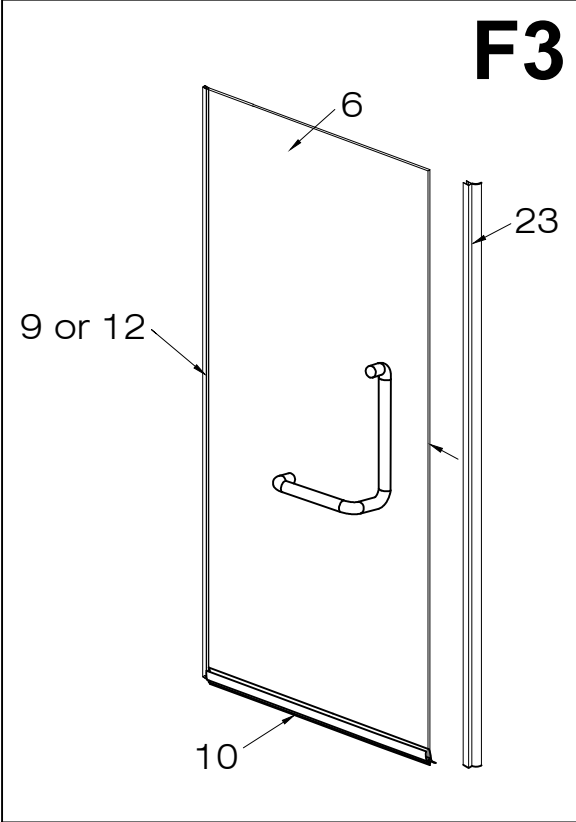
1. Install the door side seal strip (#12) to the door when the door edge towards the wall is away from the turning hinge base (#1). If maximum length of the shower enclosure is required and the door edge is within rubbing distance of the glass support install the side seal strip without bump (#9).



2. Install the door bottom seal strip (#10) onto the bottom of the door panel.

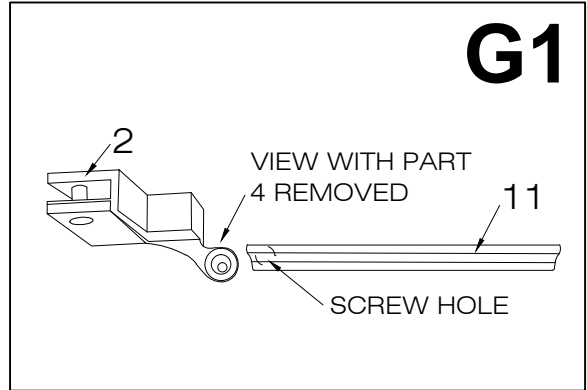


3. Install Door side seal strip (#23) the door panel.

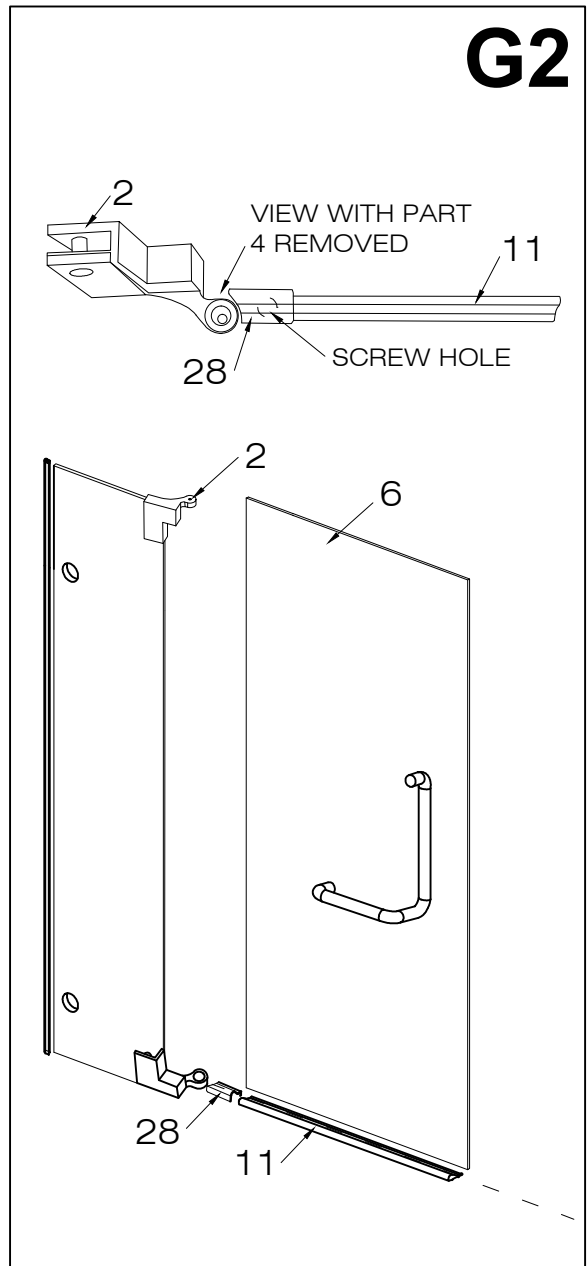


G. INSTALLING THE DOOR THRESHOLD

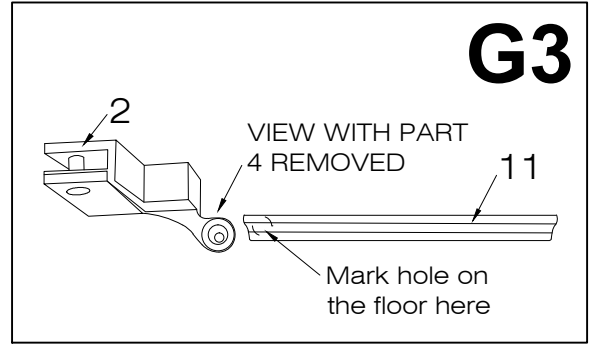
1. Measure the distance from side to side under the door and cut the threshold to the proper length. Note that there are screw holes on both sides of the threshold, this makes the unit reversible. Please make sure the threshold end with a screw hole (that was not cut off during the sizing process) should be always placed by the side of hinge base mirrored (#2).



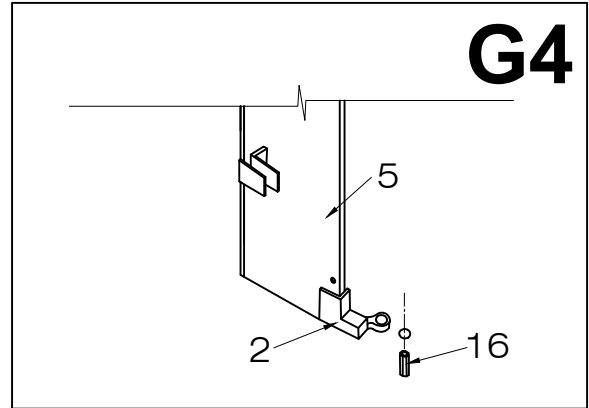
2. Place the left threshold end cup (#28) on the left end of the door threshold (#11). Then carefully align the door threshold and threshold end cup under the door panel. The threshold end cup should be placed against the turning point of the hinge base mirrored, while the other end of threshold should be placed against the wall.



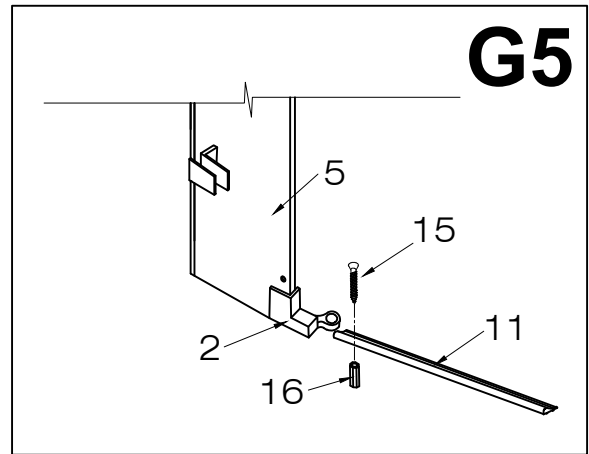
3. Remove the threshold end cup and mark a hole on the floor for the threshold screw.



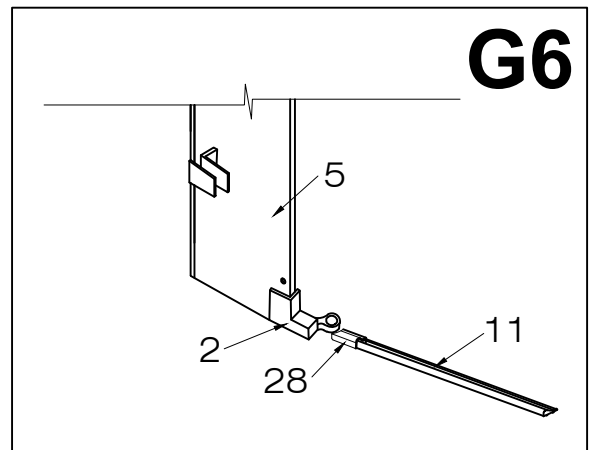
4. Remove the door threshold and drill hole into the floor. Insert plastic anchor (#16) into the hole.



5. Replace the door threshold and screw into the floor with 1 1/8" phillips screws (#15).

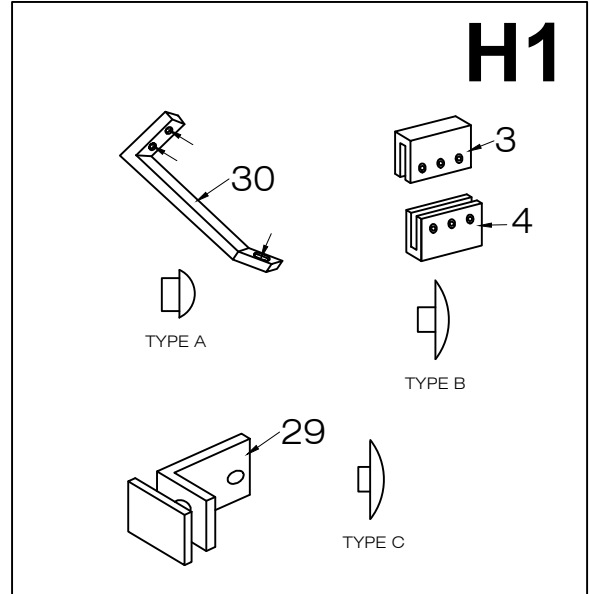


6. Replace the threshold end cup (#28).



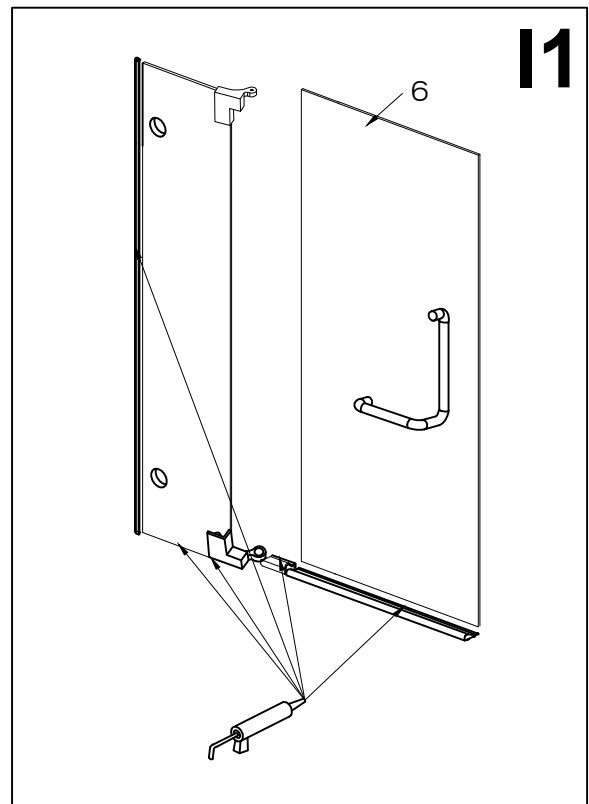
H. INSTALLING SCREW COVERS

1. Install screw covers (#24) to the unit. Please pay attention that there are three types of covers. Type A is for structural arm (3pc). Type B is for turning hinges (6pc). Type C is for glass supports (4pc).



I. APPLYING THE SILICONE

1. Apply clear silicone caulking to the inside between the wall and side seal strip. Apply clear silicone caulking to the inside between the floor and the fixed front panel. Continue applying the silicone caulking around the turning hinge base mirrored to seal any place that may cause leaking. Apply clear silicone caulking to the inside between the floor and left threshold end cup as well as door threshold.



 **WARNING**

This product can expose you to chemicals including Lead and Lead Compounds, which are known to the State of California to cause cancer, birth defects or other reproductive harm.

For more information, visit:

www.P65Warnings.ca.gov

 **ADVERTENCIA**

Este producto puede exponerle a productos químicos, incluidos el plomo y los compuestos de plomo, que el Estado de California reconoce como causantes de cáncer, defectos de nacimiento u otros daños reproductivos.

Para más información, visite:

www.P65Warnings.ca.gov

 **AVERTISSEMENT**

Ce produit peut vous exposer à des produits chimiques, y compris le plomb et les composés de plomb, reconnus par l'État de Californie comme causant le cancer, des malformations congénitales ou d'autres troubles de la reproduction.

Pour plus d'informations, visitez

www.P65Warnings.ca.gov